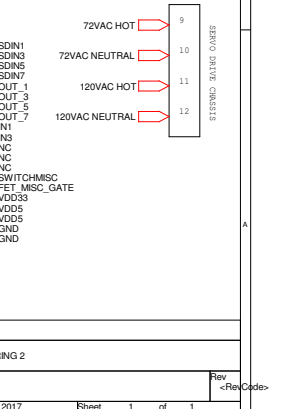
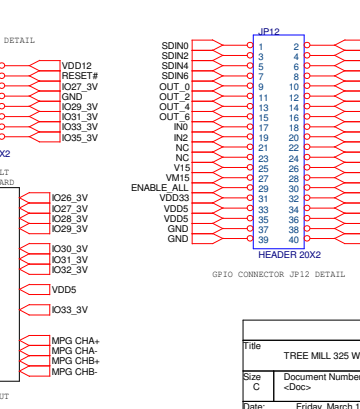
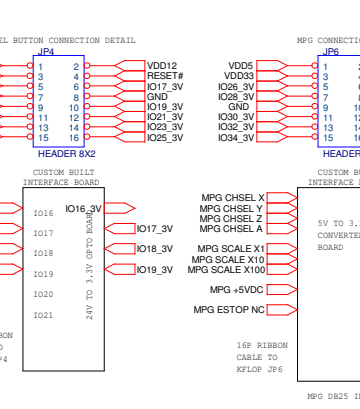
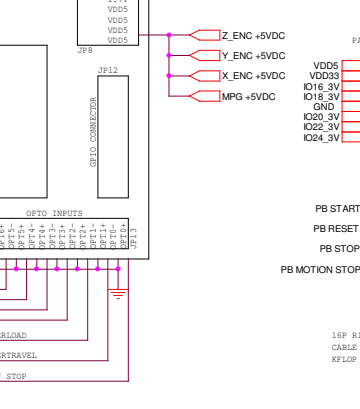
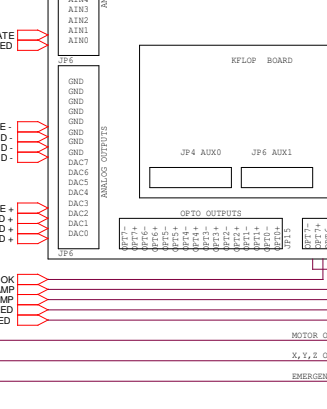
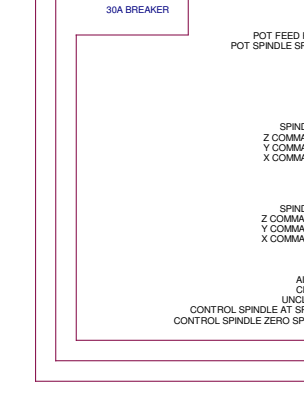
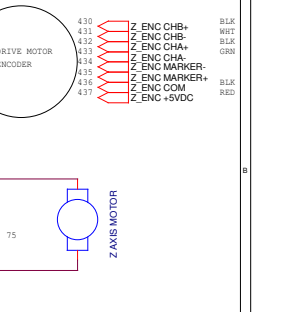
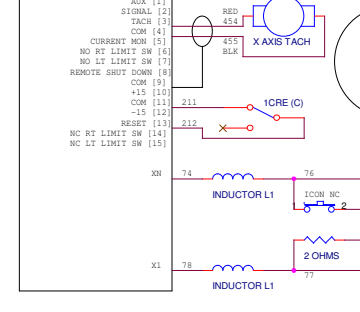
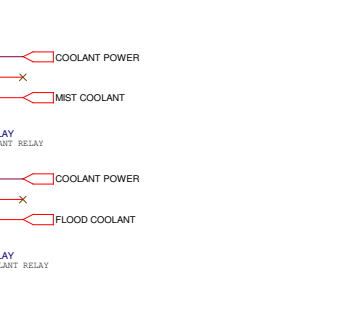
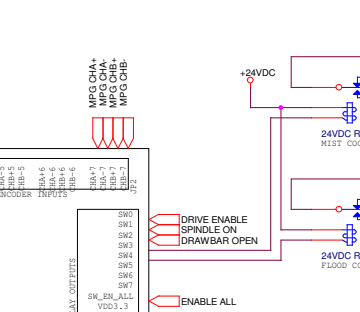
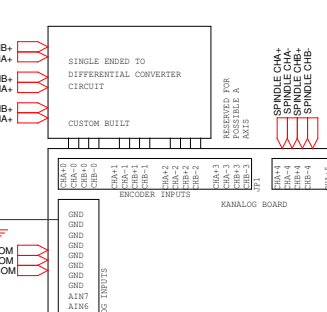
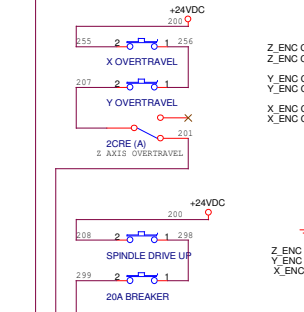
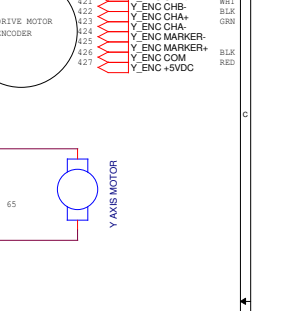
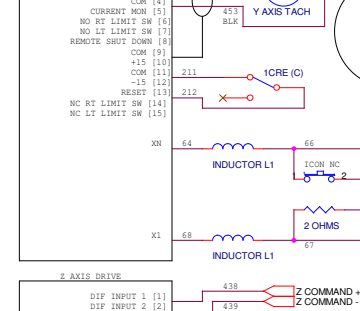
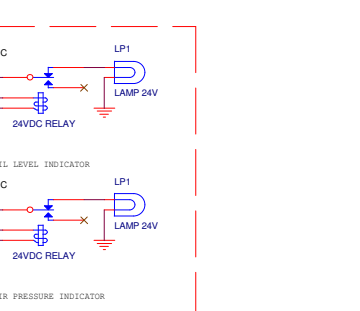
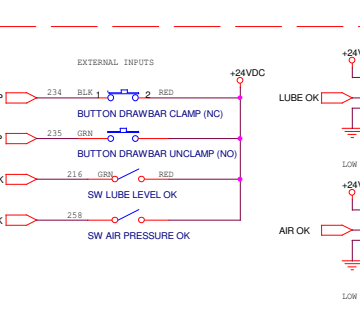
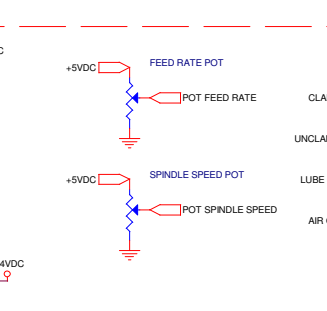
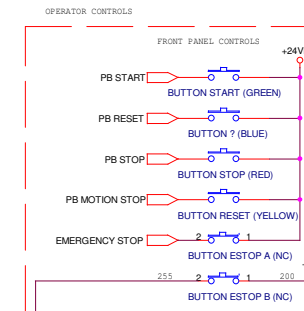
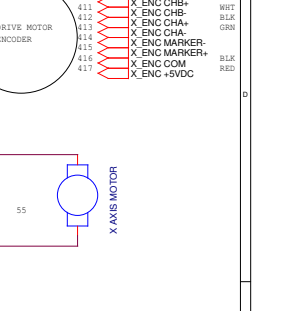
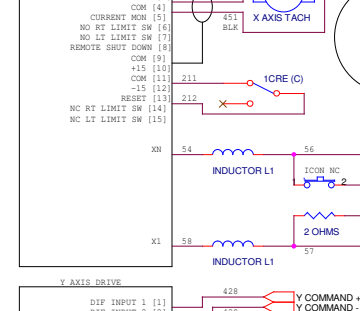
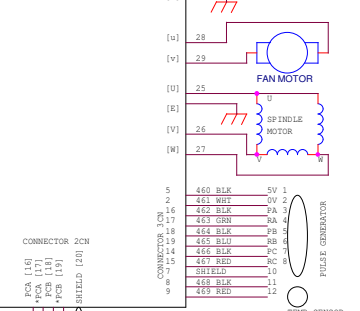
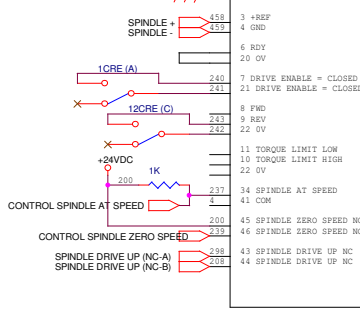
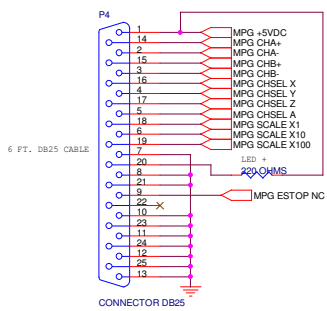
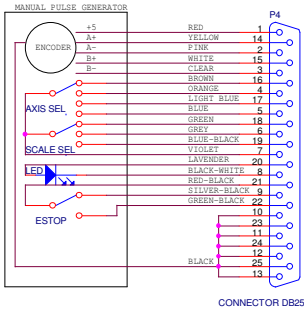


Title	<Title>	Rev	<Rev Code>
Size	Document Number		
C	<Doc>		
Date	Wednesday, March 01, 2017	Sheet	1 of 1



Title		TREE MILL 325 WIRING 2	
Size	C	Document Number	<Doc>
Date	Friday, March 17, 2017	Sheet	1 of 1