

Independent of the drive controller type – total connecting diagram

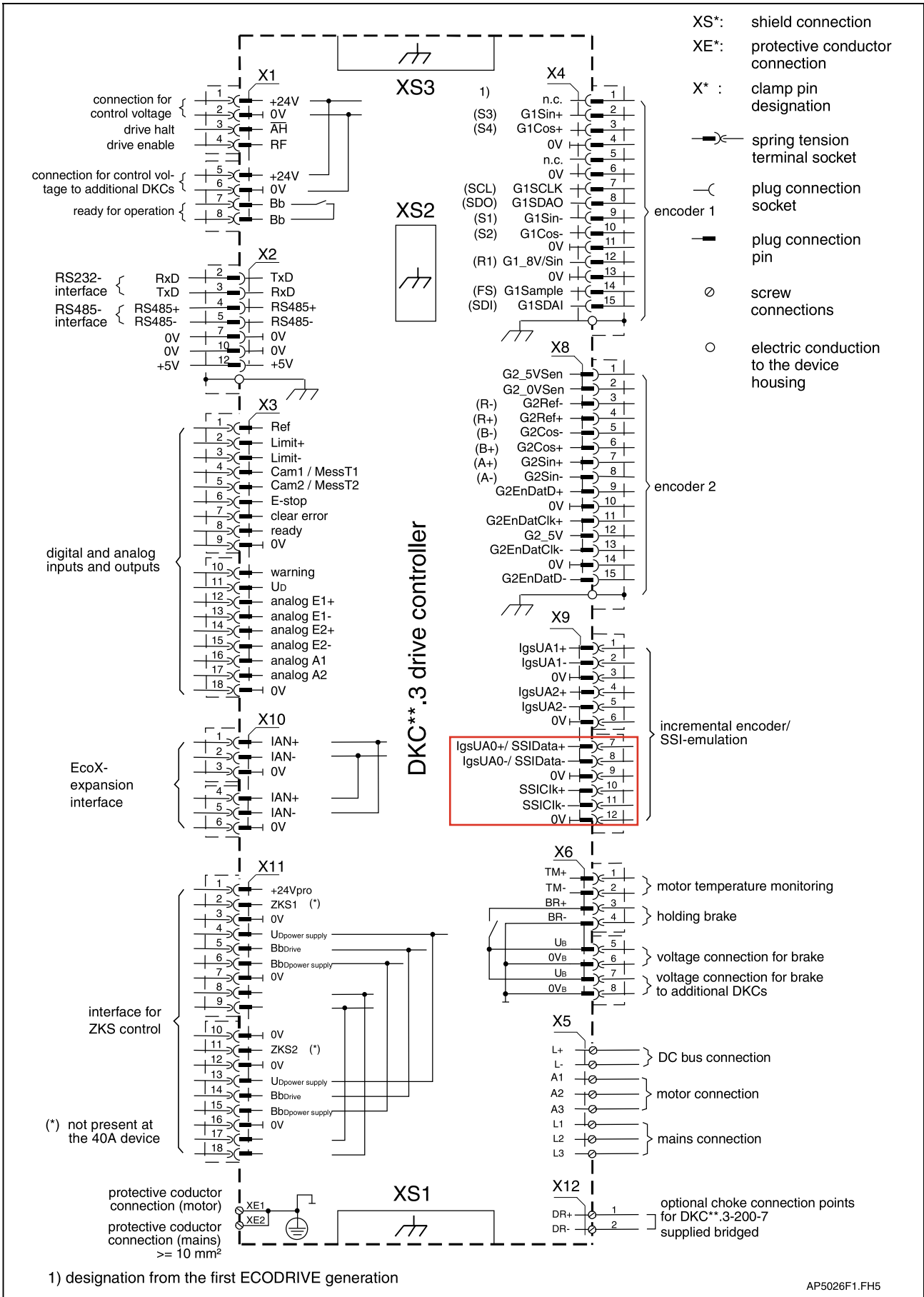


Fig. 4-47: Total connection diagram for DKC**.3